

DOOR ACTIVATED LIGHTING

P1

DC CONTROLLER LD2040

The DC controller forms the central hub of the lighting system, switching power between the power supply and the LED light when controlled by door activated reed switches. Reed switches can be either LD1400, LD1401 or LD1402.

The controller switches on when any door is opened and switches off when all doors are closed. The number of doors is unlimited. For flexibility, incoming power can be sourced from either a power adapter or a LED driver.

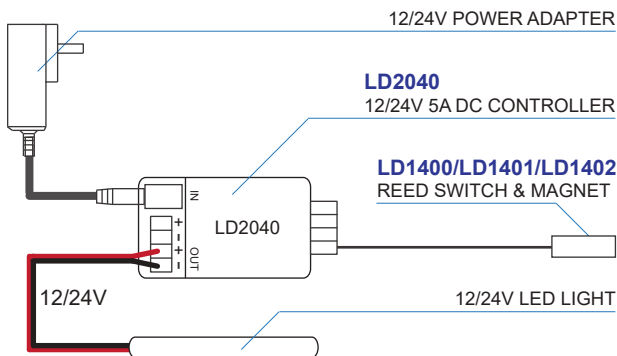
Lightdream's DC controller and reed switches integrate seamlessly with LED lights and drivers from other suppliers.



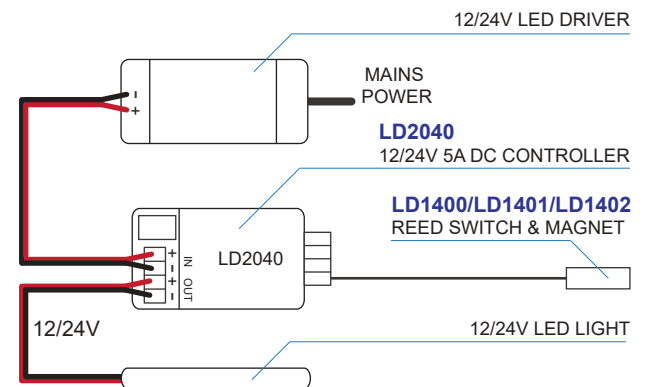
Input/Output Voltage	12/24VDC
Max Load	60W @ 12V, 120W @ 24V
Max Current	5A
Reed Switch Inputs	4
Warranty	5 years

BASIC SYSTEM

POWER FROM POWER ADAPTER

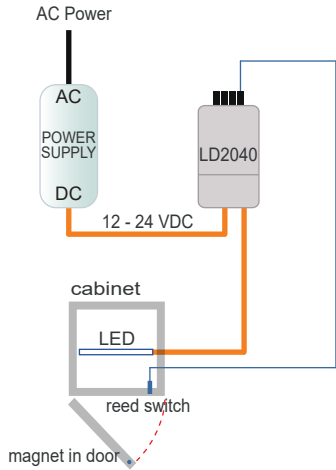


POWER FROM LED DRIVER

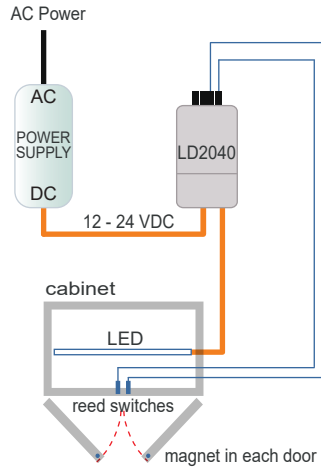


SYSTEM PARTS

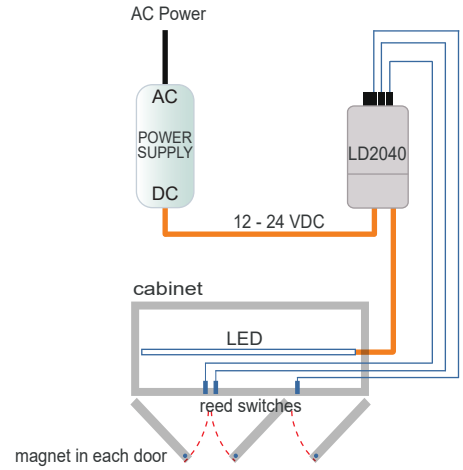
	LD2040	LD1400	LD1401	LD1402	LD1563
CONTROL					
	12/24V DC CONTROLLER	CONCEALED REED SWITCH & MAGNET	RECESSED REED SWITCH & MAGNET	SURFACE MOUNTED REED SWITCH & MAGNET	LD1420 6 PORT EXPANSION CARD
POWER					
	12V, 12W	12V, 24W	12V, 36W	12/24V, 50W LED DRIVER	2/4 WAY SPLITTER CABLES
	LD1104/LD1105	LD1104/LD1105	LD1104/LD1105	LD1104/LD1105	LD1104/LD1105
	LED STRIP IP20/IP54	LED STRIP IP20/IP54	LED STRIP IP20/IP54	LED STRIP IP20/IP54	LED STRIP IP20/IP54



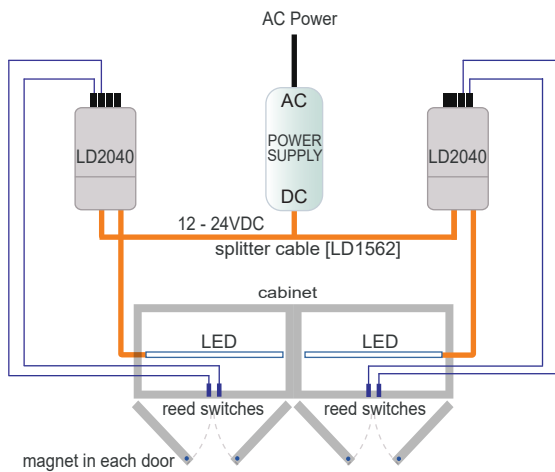
1 Single door cabinet
Open door, light on
Close door, light off



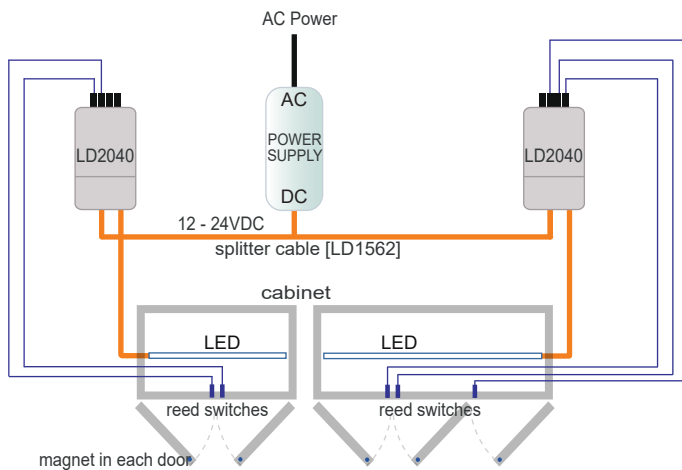
2 Two door cabinet
Light comes on when
either door is opened.
Close all doors, light off.



3 Three door cabinet
Light comes on when
any door is opened.
Close all doors, light off.



4 Two cabinets with two doors each.
Each cabinet is independent.



5 One cabinet with two doors, one cabinet with three doors.
Both cabinets are independent.

SUITABLE FOR ANY DOOR

HINGED DOOR

BI-FOLD DOOR

SLIDING DOOR