

## DC CONTROLLER

P1

### FOR CONTROL OF LED LIGHTING

The LD2015 controller is an electronic switch for the control of 12/24V LED lighting when used with Lightdream reed sensors.

The controller is equipped with the following connections

- Power-in socket
- Power-out plug
- 5 reed sensor inputs

The five reed sensor inputs form a closed loop. When the loop is broken the controller switches on.

Reed sensor contacts close in the presence of a magnet and open when the magnet is drawn away. During installation the reed sensor is inserted into, or attached to, the carcass and a magnet is placed in, or on, the door adjacent to the reed sensor.

As the door is opened the magnet moves away from the reed sensor allowing the contacts to open and the controller switches on. When the door is closed the magnet closes the reed sensor contacts and the controller switches off.



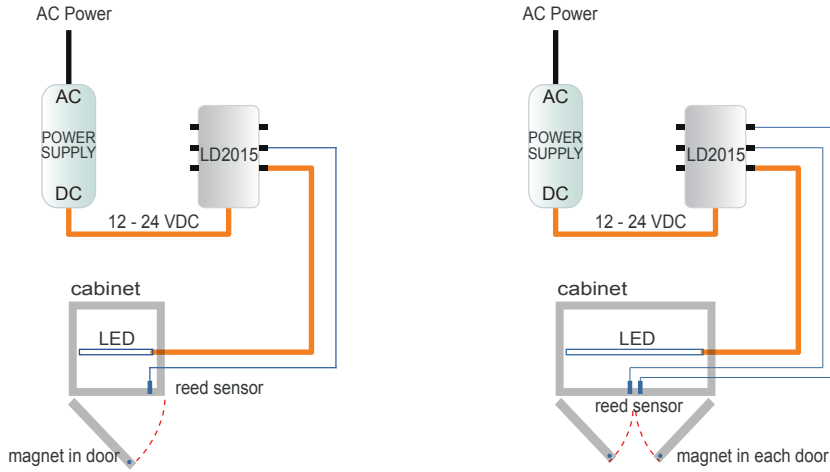
#### Features

- Controller supplied with male and female power connection plugs
- Designed for 12/24V LED lighting
- 60W @ 12V or 120W @ 24V
- One to five doors can control a single LED light

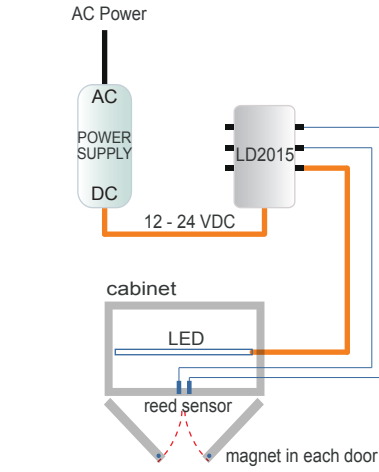
DC CONTROLLER	LD2015
Input/Output Voltage	12/24VDC
Max Load @ 12V	60W
Max Load @ 24V	120W
Max Current	5A
Switch Method	solid-state
Reed Sensor Inputs	5
Warranty	5 years

### ACCESSORIES

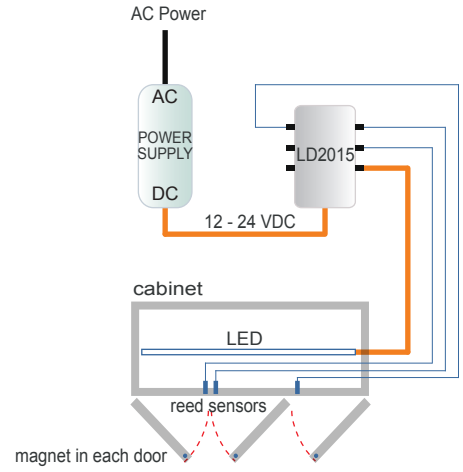
	LD1562	LD1610	LD1611	LD1605	LD1104/LD1105
POWER					
	Splitter cables	12V, 12W power adapter	12V, 36W power adapter	12 & 24V, 50W driver	LED strip IP20 LED strip IP54
CONTROL					
	concealed reed sensor	recessed reed sensor	surface mounted reed sensors		LD1420 6 port expansion card



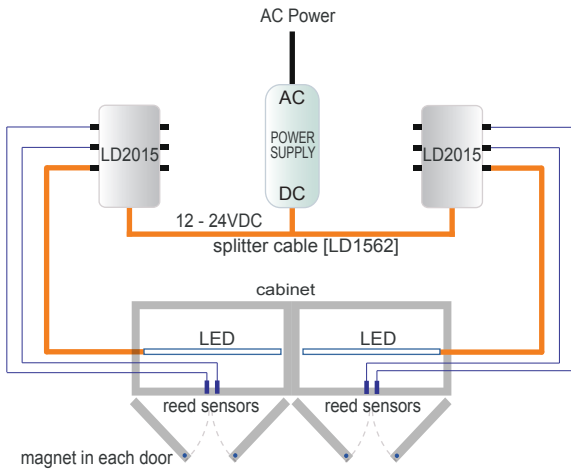
**1** SINGLE DOOR CABINET  
Open door, light on  
Close door, light off



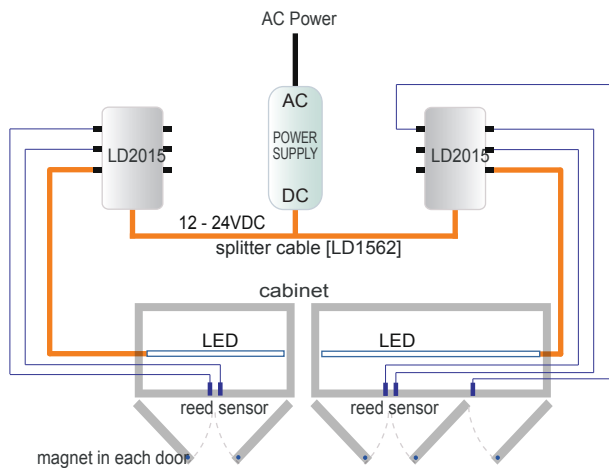
**2** TWO DOOR CABINET  
Light comes on when  
either door is opened.  
Close all doors, light off.



**3** THREE DOOR CABINET  
Light comes on when  
any door is opened.  
Close all doors, light off.



**4** Two cabinets with two doors each.  
Each cabinet is independant.



**5** One cabinet with two doors, one cabinet with three doors.  
Both cabinets are independant.

SUITABLE FOR ANY DOOR

**HINGED DOOR**

**BI-FOLD DOOR**

**SLIDING DOOR**