

AC Controller

LD2000-A

TWO CHANNEL MAINS POWER SWITCH WITH TIMER

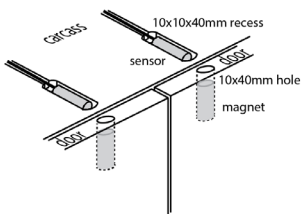
The LD2000-A is a two channel device designed for switching mains power to one or two individual loads when controlled by Lightdream's magnetic sensors.

Adjustable timer settings allow the device to switch off after a preset period. Automatic switch-off is ideal for installations where doors are left open.

AS A PROXIMITY SENSOR

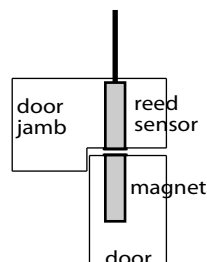
The LD2000-A is controlled by reed sensors. Reed sensor contacts close with a magnet present. By placing a magnet on the door and a reed sensor on the carcass the reed contacts will open when the door is opened. Refer to the Reed Sensor Configuration sheet for more detail.

Cabinet



LD1400
Reed sensor and magnet - fully concealed

Doorway



LD1401
Reed sensor and magnet - flush finish

AC Controller and Reed Sensors with magnets



LD2000-A



LD1400
fully concealed

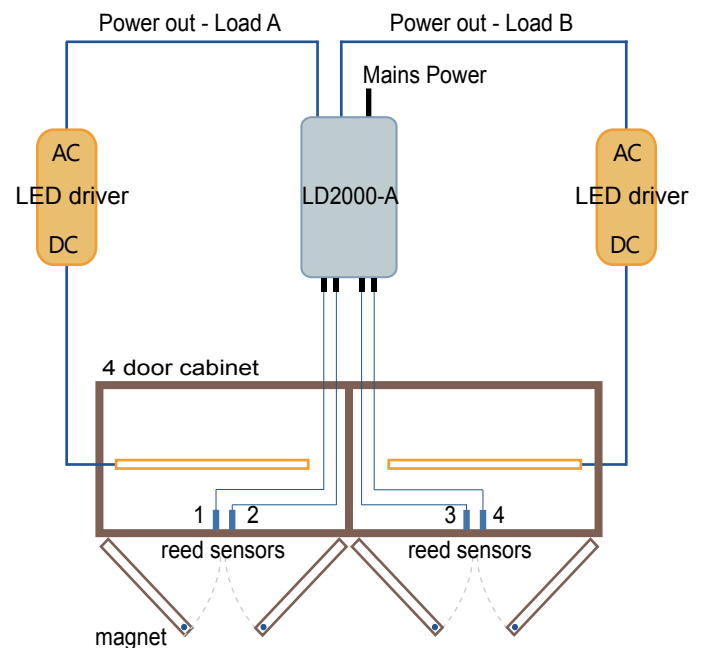


LD1401
flush finish



LD1404
surface mount

Typical installation: Four door cabinet with LED strip lighting



Reed sensors 1 and 2 control load A
Reed sensors 3 and 4 control load B
LED strip

SPECIFICATIONS

AC Sensor Switch	LD2000-A
Input/Output Voltage	220-240VAC 50Hz
Power outputs	2
Channels	1 or 2 (selectable)
Max. load (total)	500W
Switching method	Solid-State
Sensor inputs	4
Warranty	5 Years